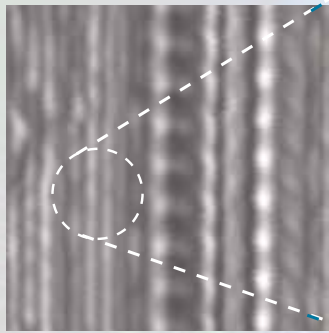


SEMICAPS ARSIL

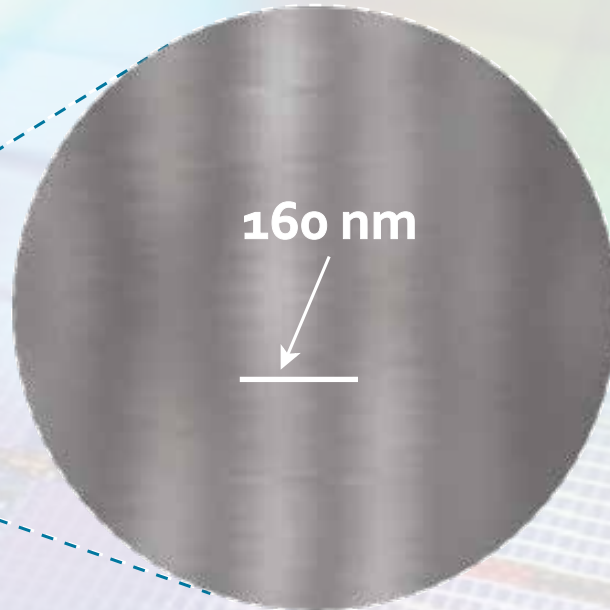
APLANATIC REFRACTIVE SOLID IMMERSION LENS

FULL PITCH RESOLUTION < 150 nm

Intel 14 nm Skylake
Xeon E3 1220 v5



Backside 1064 nm
laser image



~ 80 nm lines and
~ 160 nm pitch

Features

- The smallest laser spot size on the DUT which gives the best return signal with the lowest noise and lowest cross-talk, used in 3 nm and 5 nm tech node
- 3.3 NA (<150 nm resolution pitch)
- Best sensitivity and able to run devices at high speed/power
- SIL option for full backside thickness (750 - 775 μm) available
- Easy sample prep 50 - 380 μm backside thickness, customizable



Patented SIL Assembly Design

SEMICAPS Pte Ltd

A Company of SEMICAPS Corporation Group

Email: sales@semicaps.com <https://www.semicaps.com>

SEMICAPS
Excellence In Innovation